

Container, tank and vessel cleaning



High pressure cleaning

Barrels
Vessels

Containers

Tank trucks

Rail tankers

Mixers

Up to 2 800 bar

Up to 40 000 psi

Coring

Deburring

Paint stripping

Degreasing

High pressure water jet

Automobile industry

Surface cleaning

Foundry

Reactors

Cleaning of cast parts

Filter cleaning

Chemische Industrie

High pressure – an economical and ecological solution for complex tasks

URACA is one of the most experienced manufactures of high pressure equipment utilized for cleaning purposes. The information and pictorial descriptions shown are examples of successful URACA installations from around the world and are but a small representation of available cleaning systems.

URACA's reputation is based upon over a hundred years experience in high pressure pump technology and international trade in the delivering of equipment for the chemical process industry, as well as, successful application of equipment relative to the cleaning market. This extensive experience offers the best basis upon which to solve a customer's problem.

URACA cleaning systems are essentially based upon high pressure technology. For most cleaning problems there exists experience relative to the required pressure versus capacity to accomplish the desired effect.

Additionally, chemical additives or temperature considerations may also affect cleaning. Cleaning may be carried out with recycled, process or clean water. Cleaning equipment can be manual, semi-automatic or fully automatic. Also equipment can be dedicated to a single task or to multiple purpose applications. Drying apparatus is also available. Systems are offered to achieve the best technical, and economic resolution.

The available combinations of equipment to provide a cleaning system are manifold, e. g., from mobile type trunk mounted bin cleaning systems to stationary in plant units. Many years of experi-

ence gained from solving many different cleaning problems, as well as field trials, offer customers a means to arrive at the best economic solution.

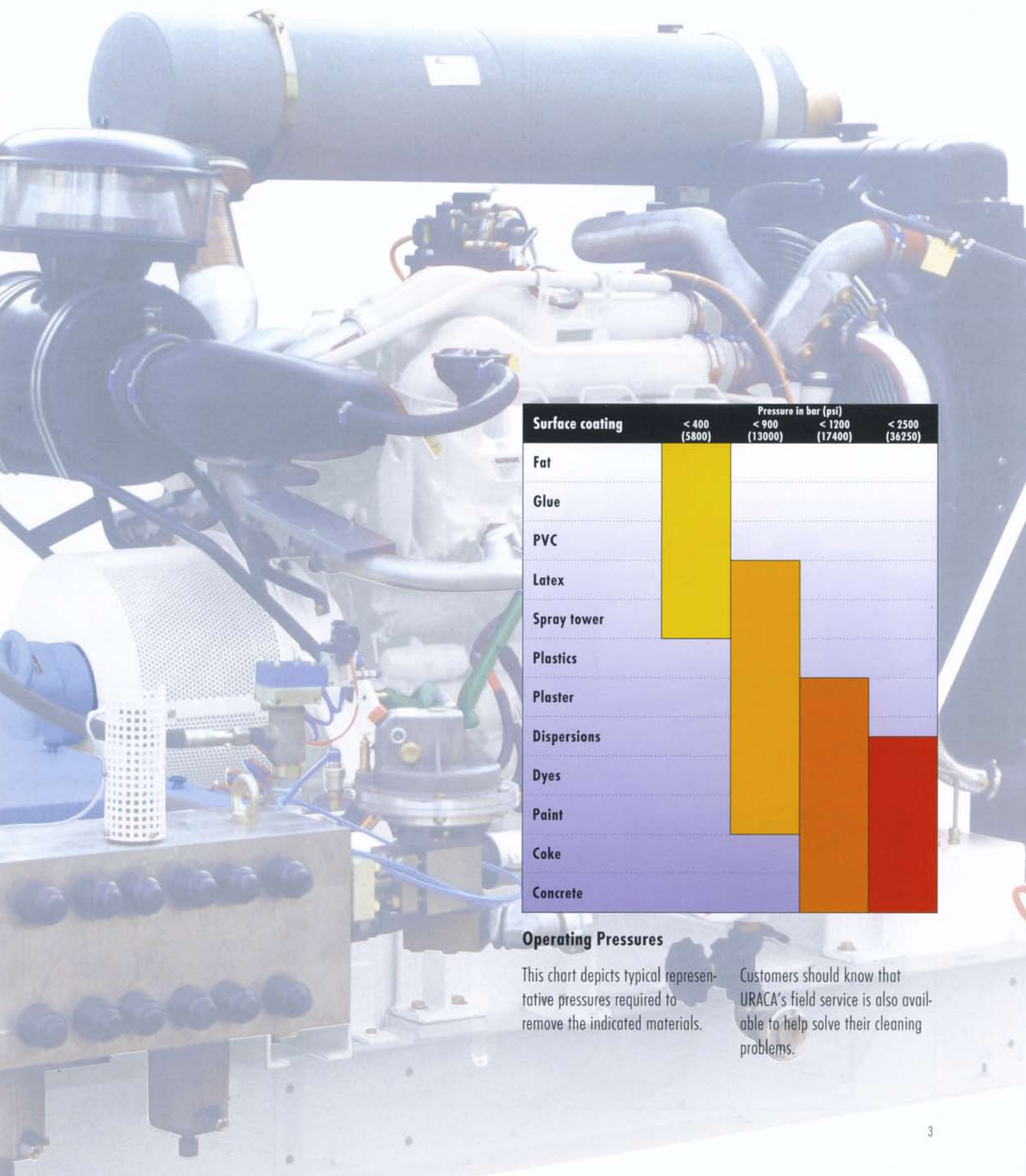
sure and capacity, but should also meet other criteria, such as, user and maintenance friendly equipment, as well as, economic and efficiency requirements.

The supply of an adequate cleaning system not only depends upon the obvious requirements, such as, electrical classifica-

URACA offers consultation services including test cleaning and other sale services to present the customer with the best economic package.

Page 4 and 5 develop a few concepts and examples of typical URACA products related to barrel, tote bin and individual item or part cleaning. Page 6 and 7 exhibit some ideas as to URACA's experience showing products for vessel cleaning.





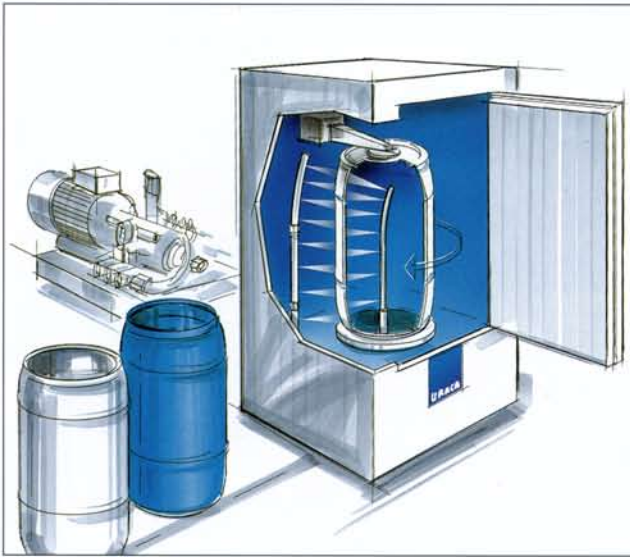
Surface coating	Pressure in bar (psi)			
	< 400 (5800)	< 900 (13000)	< 1200 (17400)	< 2500 (36250)
Fat	Yes			
Glue	Yes			
PVC	Yes			
Latex	Yes	Yes		
Spray tower	Yes	Yes		
Plastics	Yes	Yes		
Plaster	Yes	Yes	Yes	
Dispersions	Yes	Yes	Yes	Yes
Dyes	Yes	Yes	Yes	Yes
Paint	Yes	Yes	Yes	Yes
Coke	Yes	Yes	Yes	Yes
Concrete	Yes	Yes	Yes	Yes

Operating Pressures

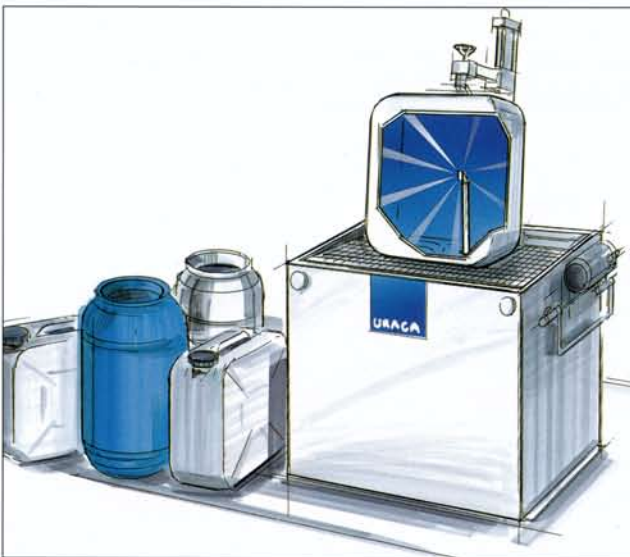
This chart depicts typical representative pressures required to remove the indicated materials.

Customers should know that URACA's field service is also available to help solve their cleaning problems.

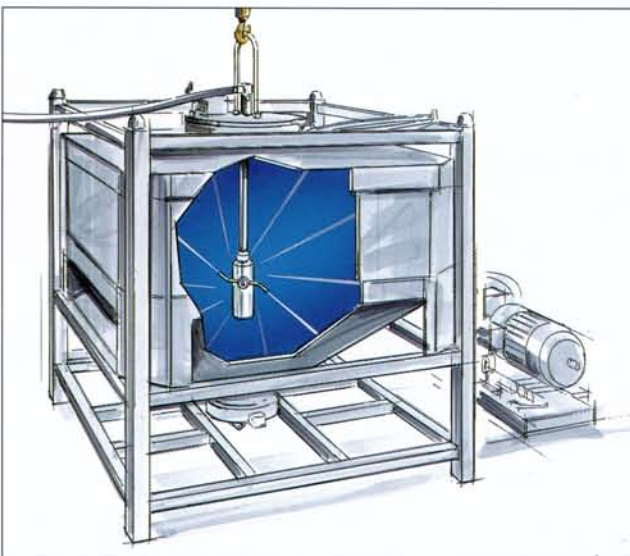
Container and parts cleaning



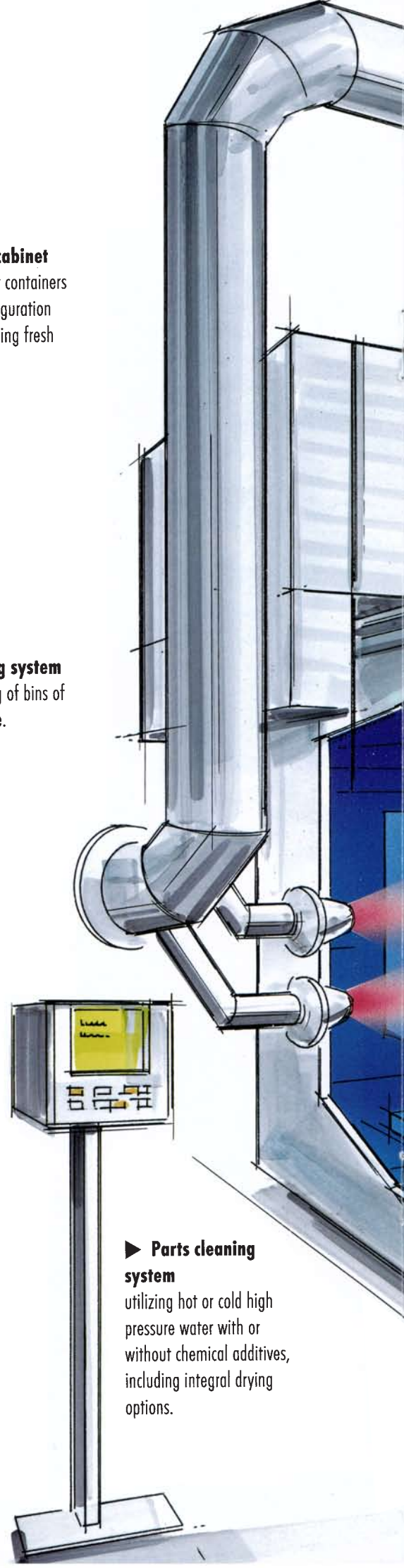
◀ **Barrel cleaning cabinet** customized for barrels or containers of various size and configuration bughole or opening, using fresh water or process water.



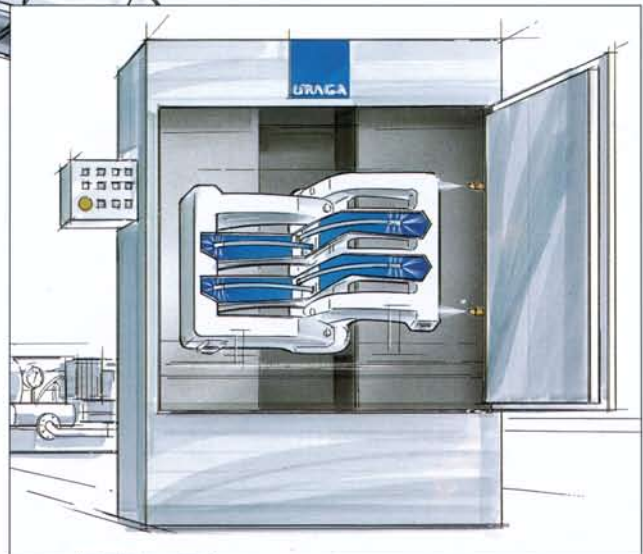
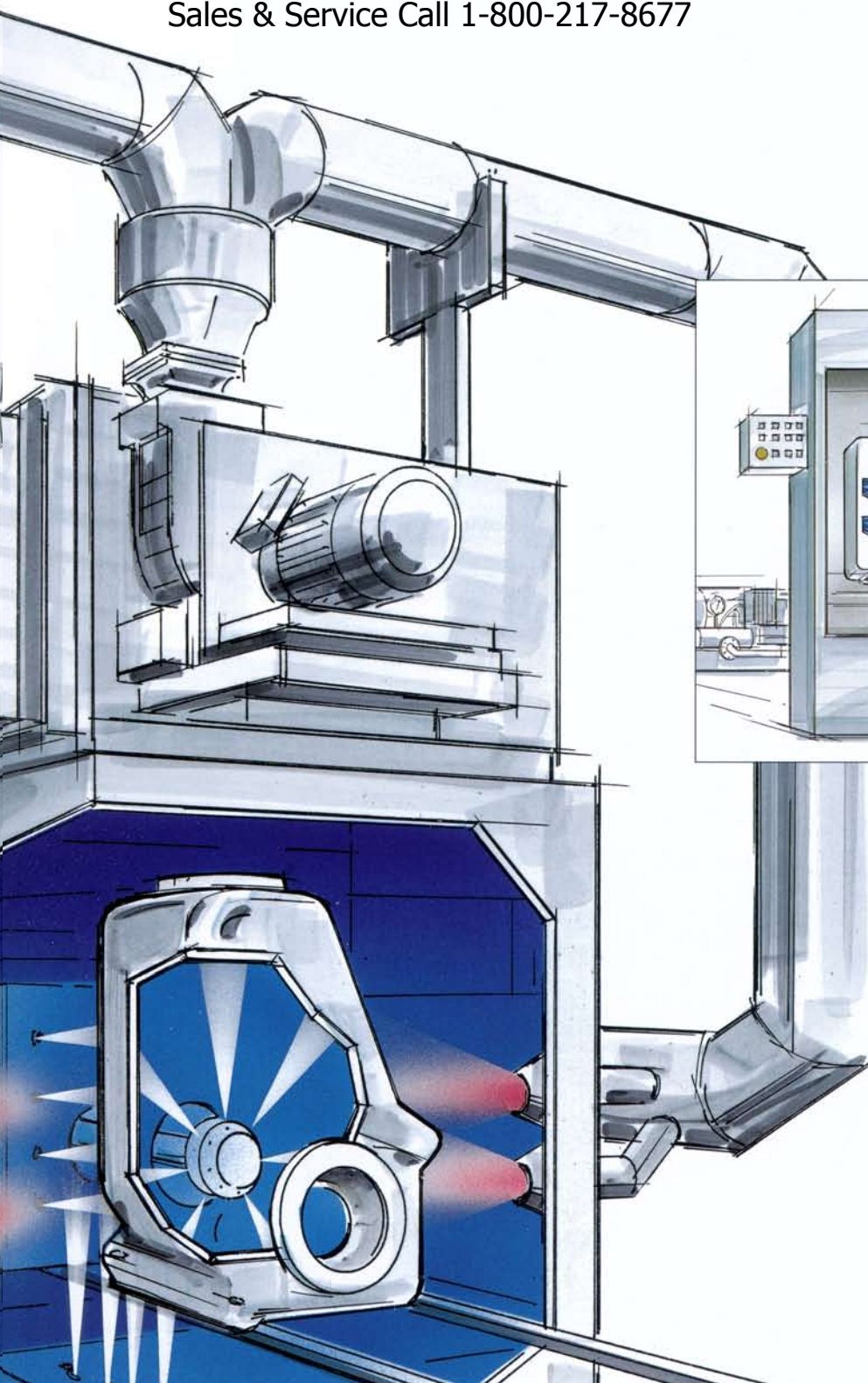
◀ **Tote bin cleaning system** for the internal cleaning of bins of different shape and size.



◀ **Container cleaning system** made of steel or plastics with outlet.



▶ **Parts cleaning system** utilizing hot or cold high pressure water with or without chemical additives, including integral drying options.

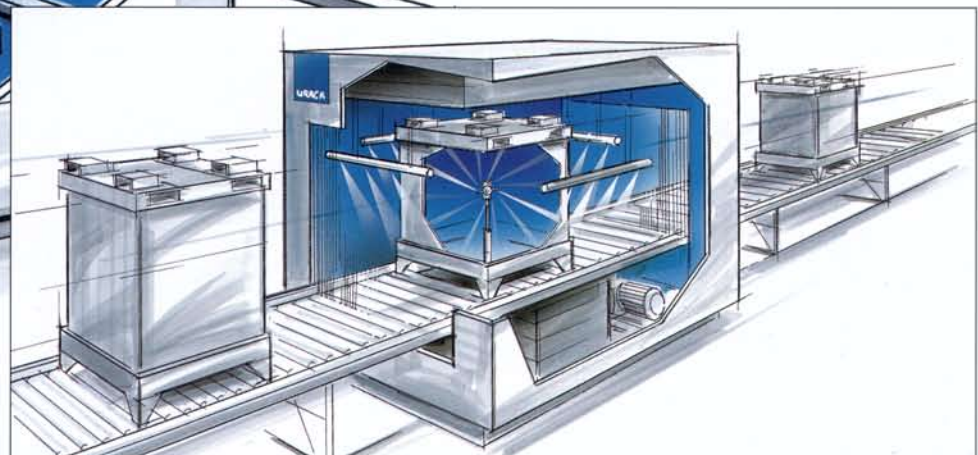


▲ **High pressure cleaning system**

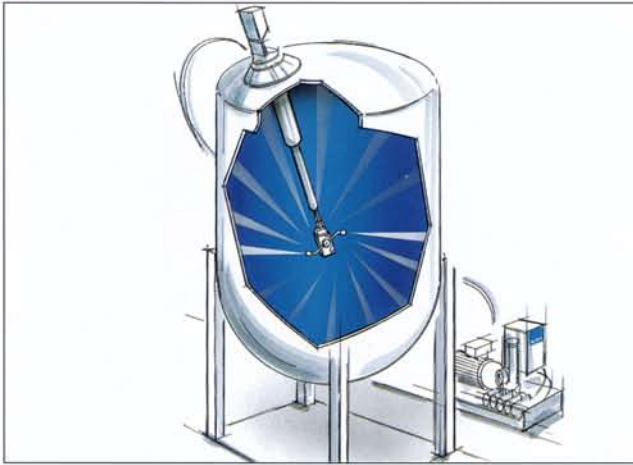
to remove foundry sand or cores from complex cast parts or for deburring and stripping of metal shavings via flexible nozzle systems using high pressure water.

▼ **Container cleaning system**

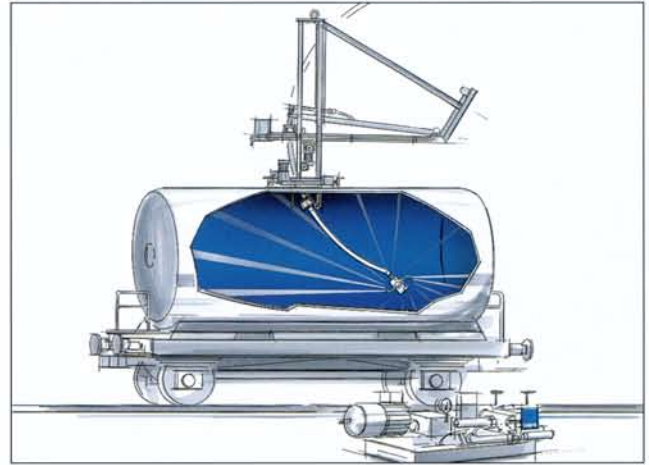
for the internal and external cleaning of containers and tote bins without outlet, in stationary or mobile version, operation either in single or parallel lines.



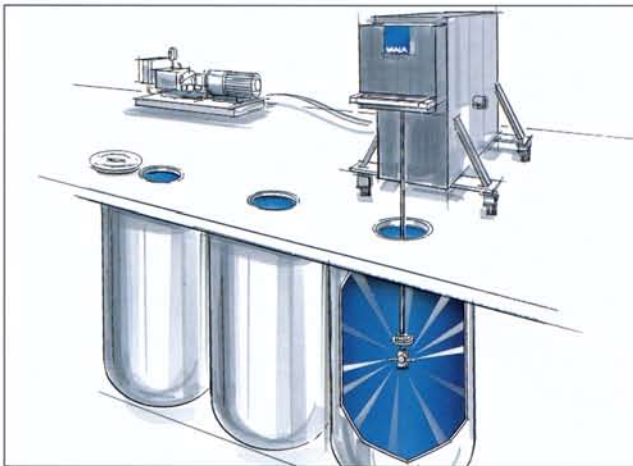
Vessel cleaning



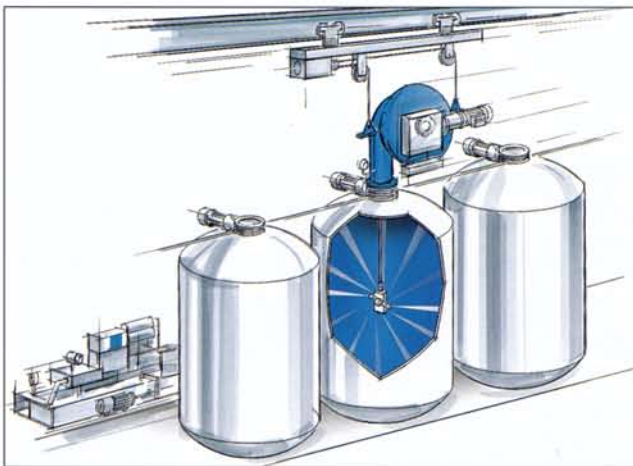
▲ **Telescopic positioning device** for stationary vessel cleaning.



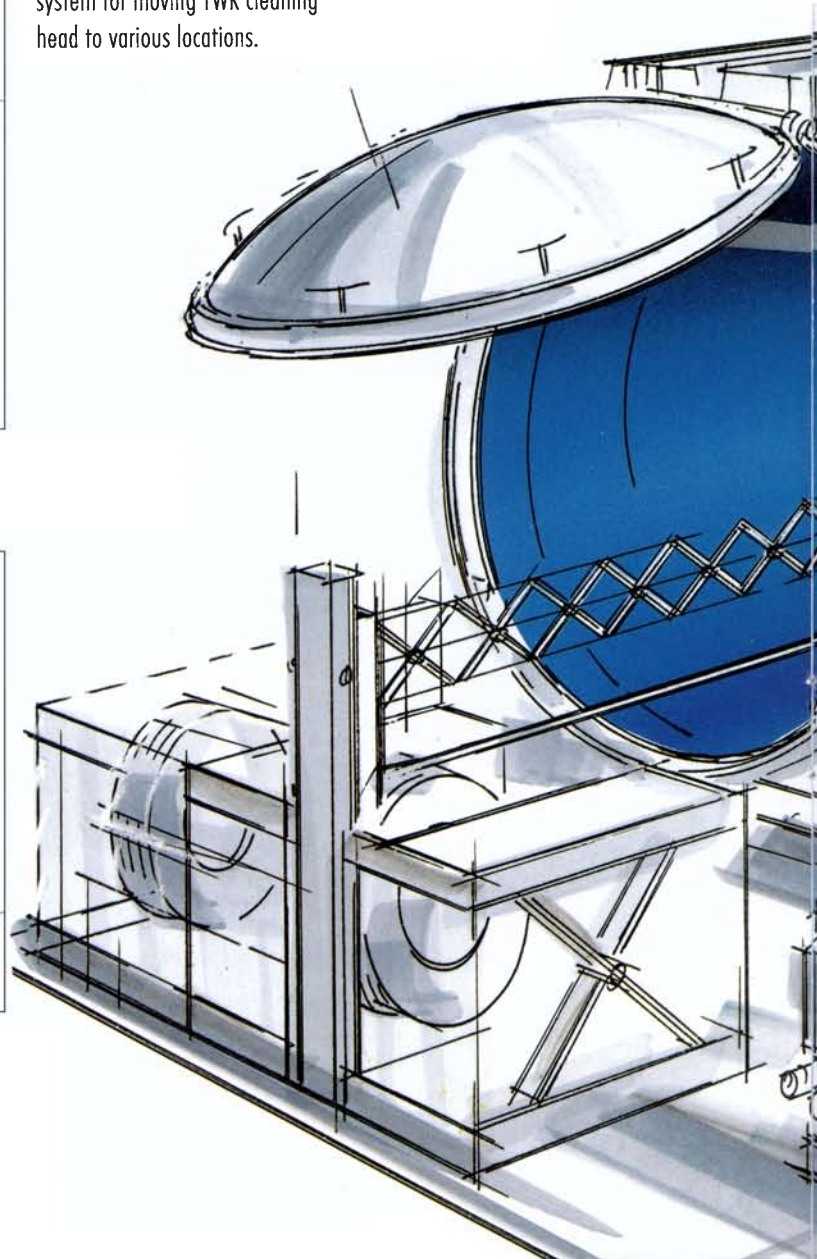
▲ **Railroad car cleaning system** with projectable positioning system for moving TWK cleaning head to various locations.



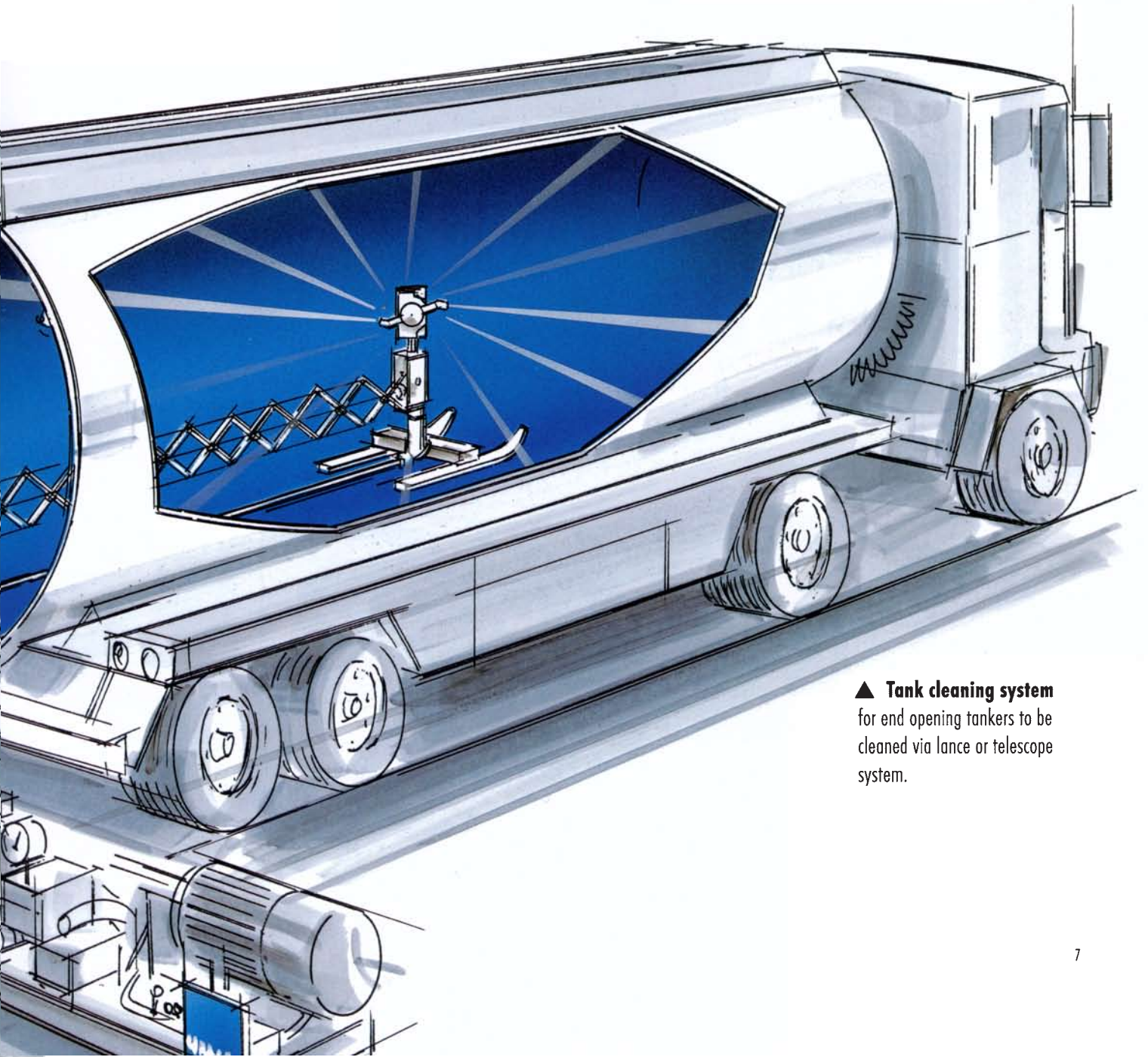
▲ **Mobile hose reel system** for the cleaning of reactors/vessel trains.



▲ **Gastight hose reel system** trolley type, mobile overhead mounted, for movement from vessel to vessel.



► **Road tanker cleaning**
for single compartment or multiple
compartments with one or more
manways.



▲ **Tank cleaning system**
for end opening tankers to be
cleaned via lance or telescope
system.

Sales & Service Call 1-800-217-8677

URACA – your experienced partner relative to high pressure cleaning equipment

URACA

URACA has a complete line of equipment, e. g. from the pump unit, optimum nozzle systems to complete turnkey cleaning systems.



URACA Pumpenfabrik GmbH & Co. KG
Sirchinger Straße 15
D-72574 Bad Urach, Germany
Phone +49 (71 25) 133-0
Fax +49 (71 25) 133-202
info@uraca.de
www.uraca.de

Certified acc. to:
■ DIN EN ISO 9001:2000 by LRQA
■ VGB KTA 1401
■ Gost

 **Chemac Inc.**

USA & CANADA Toll Free 1-800-217-8677
Tel. 201-934-3300 Fax 201-327-8861
123 Pleasant Avenue, Upper Saddle River, NJ
07458 USA (HQ URACA Service Center)
E-mail Chemac@chemacinc.com
www.uraca.de or www.chemacinc.com

